

Sentinel

Kinetic MVHR Range



Quick installation guide



Power	3 Amp Switched Spur beside Unit
Controller wire	15m of 4 core cable with RJ connection on one side supplied with controller
Controller connection	RJ plug fitted to terminal board marked BMS
Volt Free Boost	Momentary boost switch from bathrooms - 2 core 0.5 to SW4 terminal
Switched Live boost	240 switch live to black wire on fly lead or LS terminal (additional relay may be required)
Condensation Drain	22mm on unit to be connected to water less trap and 32mm waste pipe
Orientation	Right and Left hand models available (can be converted on site if required)
Spigot installation	The spigots can be position on top or side of unit

Product Description

Sentinel Kinetic, Sentinel Kinetic F, Sentinel Kinetic Plus & Sentinel Kinetic High Flow

Units are available with the condensate drain on the right or left hand side.

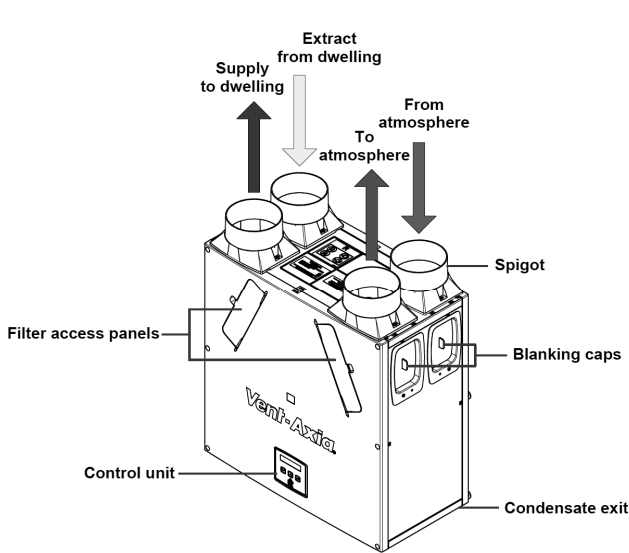


Fig 1: Sentinel Kinetic Right handed

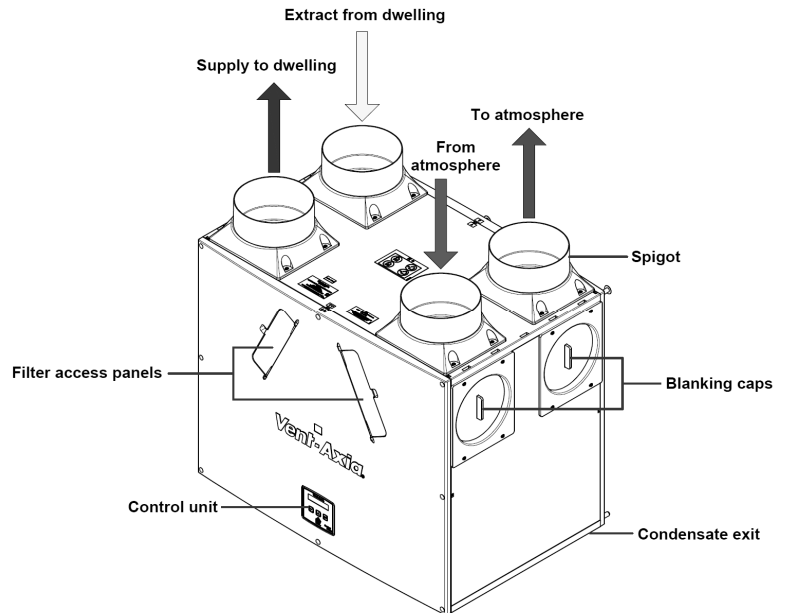


Fig 2: Sentinel Kinetic F, Sentinel Kinetic Plus and High Flow Right handed

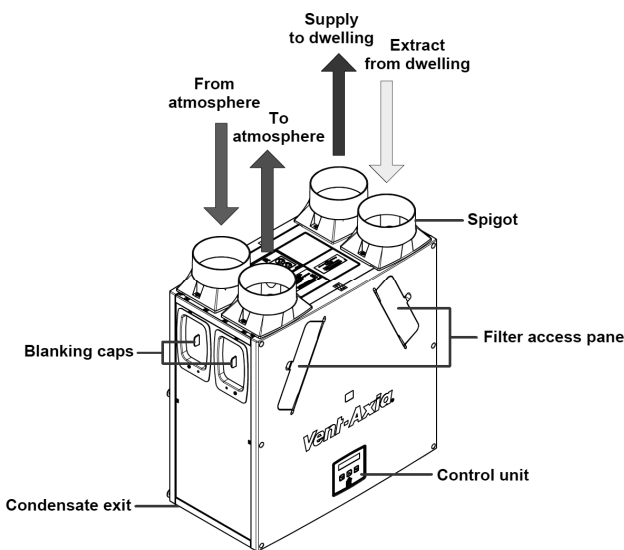


Fig 3: Sentinel Kinetic Left handed

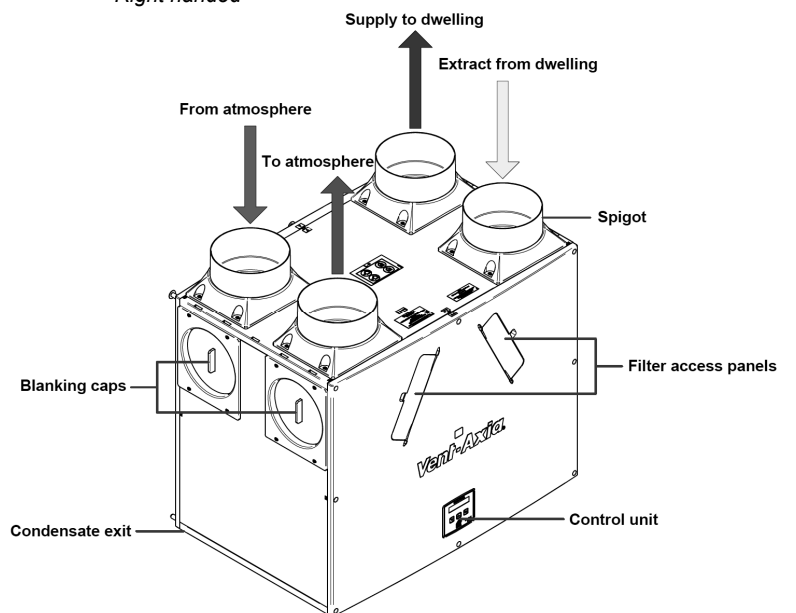


Fig 4: Sentinel Kinetic F, Sentinel Kinetic Plus and High Flow Left handed

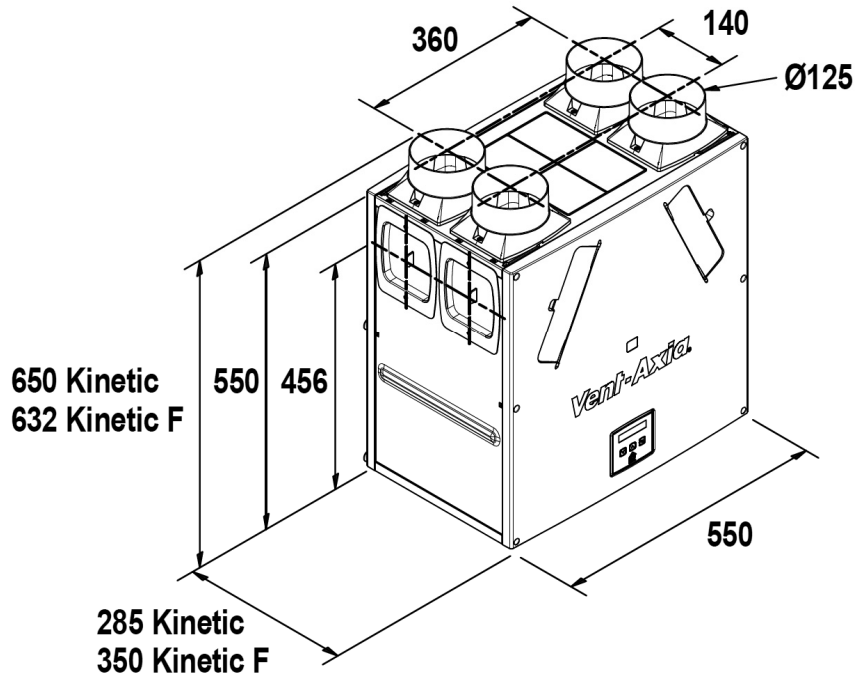


Figure 5: Sentinel Kinetic Dimensions

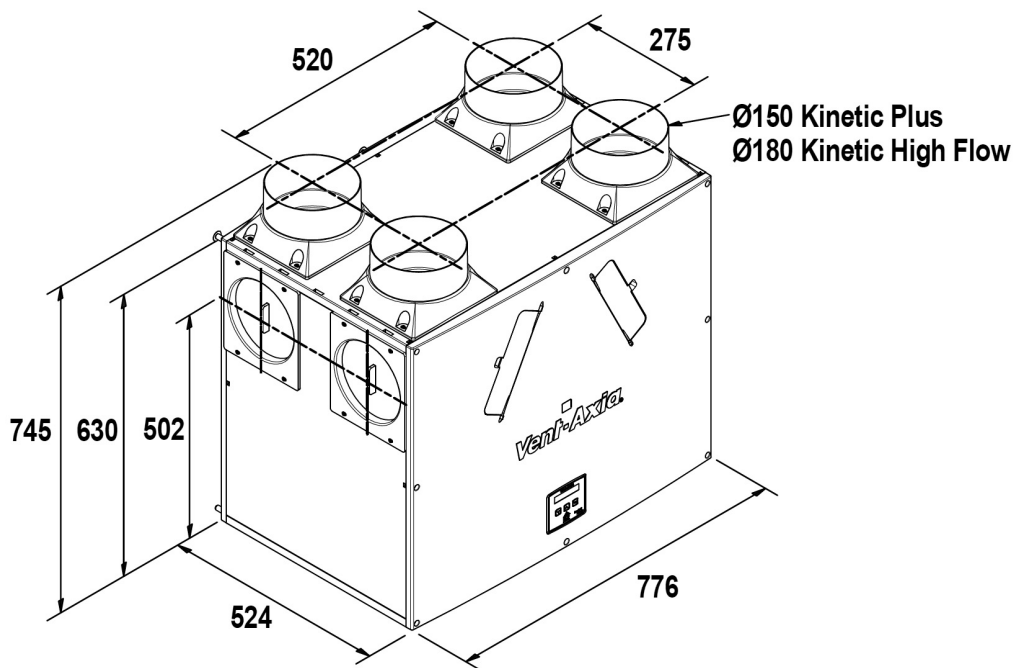
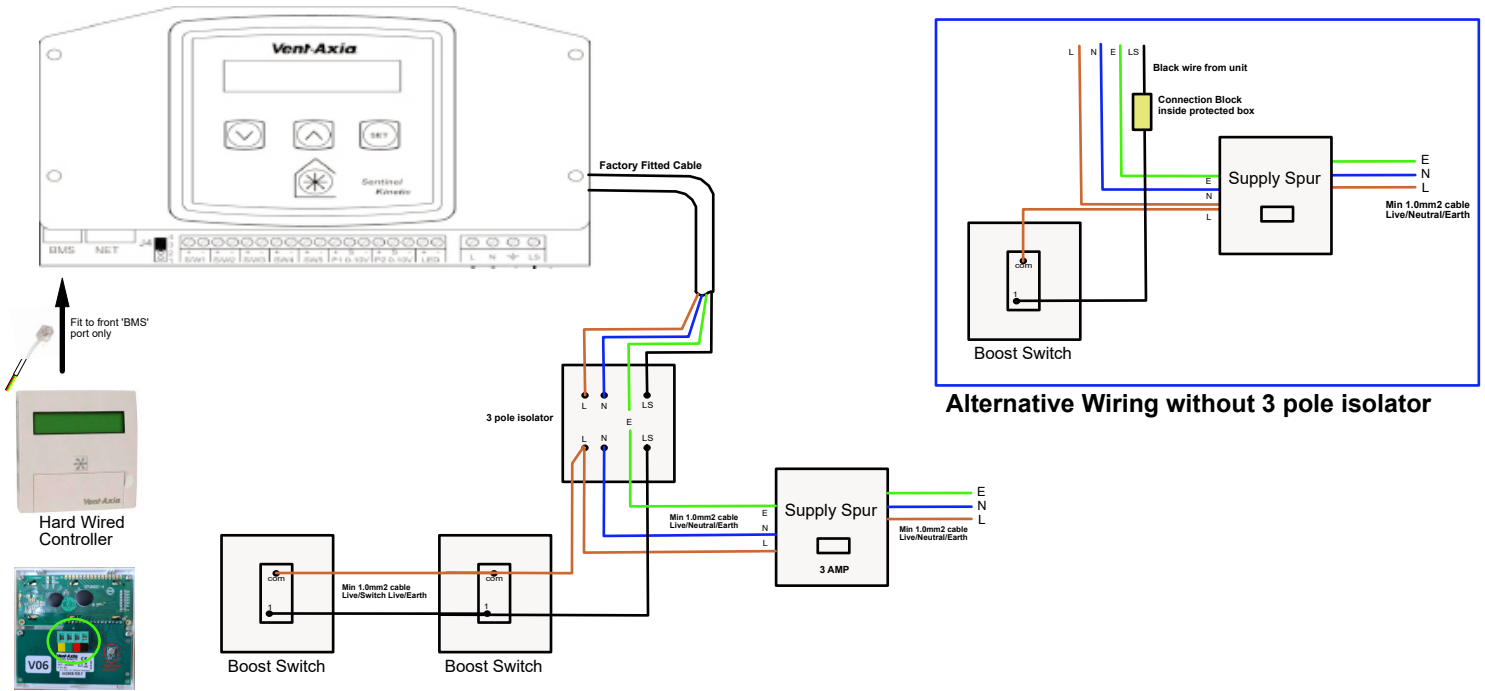


Figure 6: Sentinel Kinetic Plus and Sentinel Kinetic High Flow Dimensions

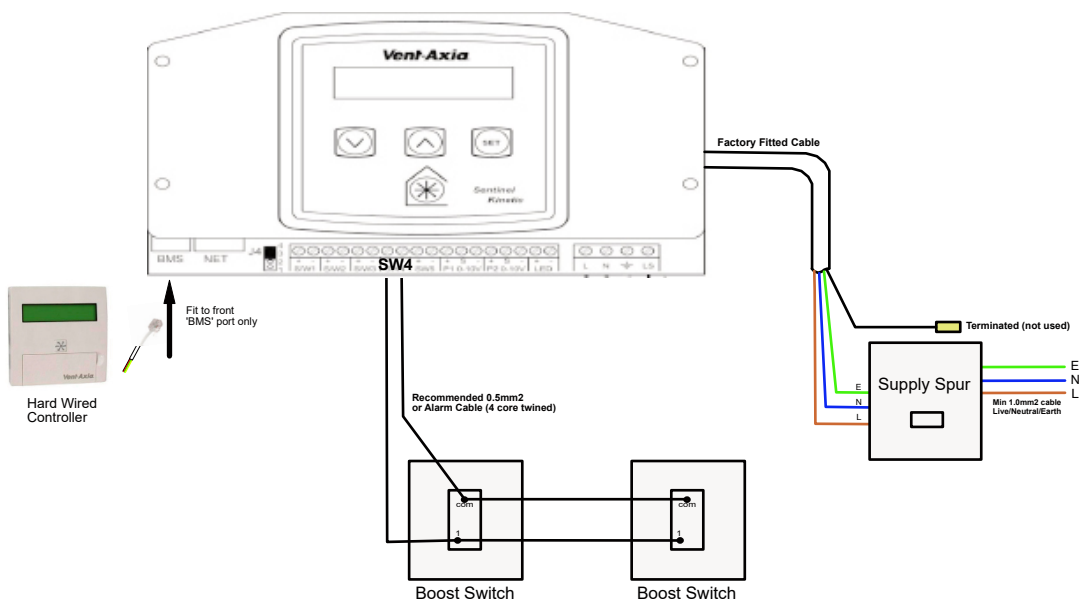
Vent Axia Sentinel Kinetic MVHR Wiring

Option 1 - Mains Voltage Boost Switch Diagram



Mains Boost Switches MUST be positioned outside zones e.g. outside bathroom etc

Option 2 - Low Voltage Boost Switch Diagram



All boost switches are to be wired to the SW4 connection only.



BPC Ventilation Ltd
8 Redlands Road
Larne
BT40 1AX

T: 028 2827 5150

E: info@bpcventilation.com

W: www.bpcventilation.com