

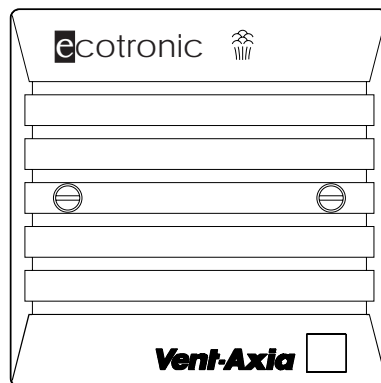
# **Vent-Axia<sup>®</sup>**

## **ECOTRONIC MAINS 240V Humidity Controller**

### **FITTING AND WIRING INSTRUCTIONS**

Suitable for use with a single Vent-Axia fan up to 250W.

**STOCK REF. No. 563532A**



**PLEASE READ ALL INSTRUCTIONS  
CAREFULLY BEFORE INSTALLATION  
AND LEAVE WITH THE END USER.**

## VENT-AXIA ECOTRONIC MAINS 240V FITTING AND WIRING INSTRUCTIONS

**PLEASE READ ALL INSTRUCTIONS  
CAREFULLY BEFORE INSTALLATION**

### OPERATION

The Ecotronic humidity controller has been designed for maximum versatility. It has a single pole relay with two change-over contacts. The relay is energized either by manual override, or in automatic mode when the room Relative Humidity (RH) reaches the set-point. The relay remains energized until the room RH falls below the set-point. The RH set-point is adjustable.

The integral pullcord switches between automatic humidity control and manual override. The Ecotronic indicator lights when the fan is in manual override. The indicator will **NOT** light under automatic humidity control, even if the relay is energized. There is no permanent **OFF** position.

**NOTE:** On installation it is possible that the humidity controller will run continuously until it has acclimatized to the environment.

### SITING

**The Ecotronic must not be installed in a shower cubicle or enclosure. It must be sited away from direct sources of water spray and out of reach of a person using a fixed bath or shower.**

Ambient temperature range: 0 to 40°C. Site away from direct sources of heat. Do not site above a radiator or other heat source. Do not site in an area containing excessive levels of grease. Do not place in direct sunlight as this may affect the sensor.

The Ecotronic should ideally be mounted away from the fan on an inside wall between the major moisture source and the door to the other rooms of the building. The Ecotronic needs free air circulation and should be sited where the pullcord can be operated easily. Do not site closer than 100mm to the ceiling, cupboards, etc.

### FITTING

The Ecotronic is designed to fit any UK single mounting box with a minimum depth of 20mm. Fixing centres 60.3mm. A surface mounting box is available (Vent-Axia Ref. 410020).

### WIRING

**WARNING: For your safety please ensure that the mains supply is isolated before making electrical connections. The Ecotronic MUST be connected to a 220-240V 50Hz AC single phase mains supply.**

**WARNING: The Ecotronic MUST NOT be earthed. It is Class II double insulated.** However, if the Ecotronic is mounted on a metal outlet box the outlet box should be earthed. If the fan requires an earth connection then earth continuity must be provided.

**All electrical connections should be made by a properly qualified electrician. The siting and installation MUST comply with the current I.E.E. Regulations (BS7671 UK) or the appropriate standards in your country.**

**DO NOT connect more than one fan to the Ecotronic. The maximum load is 250W (Inductive or Resistive).**

Note: Ecotronic does not need a lamp connected in the input or output circuit. If a lamp is used please note that for reliable operation we recommend a tungsten filament lamp. The manufacturers of some fluorescent and low energy lighting systems indicate that these can interfere with some electronic controller circuits.

Wiring should be via a switched spur with a 3A fuse (UK). The installation MUST be provided with a double pole isolator switch with a contact separation of at least 3mm. The switch should be located outside the room if it contains a fixed bath or shower, or in accordance with mandatory wiring and safety regulations.

When using surface wiring that is not contained in conduit, the cables must be securely clipped to the mounting surface, close to the controller.

Electrical connections depend on the model of fan and the required mode of operation, see the fan leaflet for connection details. Figure 1 shows an example of wiring connections.

Double check the wiring making sure all connections are secure. Fit the Ecotronic to the mounting box with the two screws provided. Do not over-tighten the screws. Do not trap any wires or the pullcord string when fitting the two pieces together.

Switch the mains supply on and check operation.

## HUMIDITY SET-POINT ADJUSTMENT

**BEFORE ADJUSTING THE CONTROLLER, SWITCH OFF THE MAINS SUPPLY.**

Unscrew the screws holding the Ecotronic to the mounting box whilst supporting the Ecotronic and wiring. Tilt it to expose the adjuster shaft which has RH% marked nearby on the label.

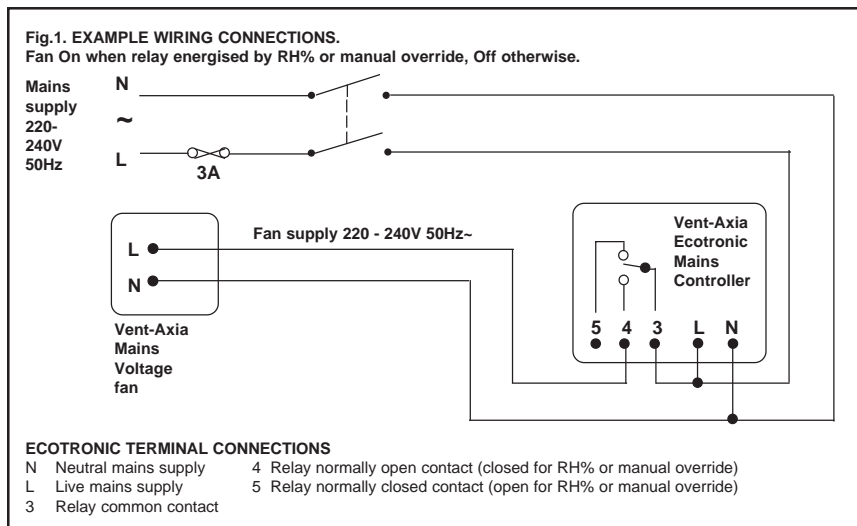
The Ecotronic is factory set to switch on at about 72%RH.

**TO LOWER** the set-point turn the adjuster shaft **CLOCKWISE**. This makes the Ecotronic **MORE** sensitive to RH%, i.e. it will come on at a lower RH%.

**TO RAISE** the set-point turn the adjuster shaft **ANTI-CLOCKWISE**. This makes the Ecotronic **LESS** sensitive to RH%, i.e. it will come on at a higher RH%.

Check all the connections and carefully refit the Ecotronic. Switch the mains supply back ON and check operation.

**All regulations and requirements MUST be strictly followed to prevent hazards to life and property both during and after installation, and during any subsequent servicing and maintenance.**



## VENT-AXIA SALES CENTRES

**VENT-AXIA CONTACT NUMBERS  
UK NATIONAL SALES CENTRE**

**Domestic & Commercial**  
Tele: 01293 530202  
Fax: 01293 565169

**Industrial**  
Tele: 01293 441570  
Fax: 01293 534898

**REPUBLIC OF IRELAND**

Vent-axia Ventilation Ltd,  
Tele: (01) 450 4133  
Fax: (01) 450 4570

**UK NATIONAL TECHNICAL SUPPORT**

**Domestic & Commercial**

Tele: 01293 526062      Fax: 01293 551188

**Industrial**

Tele: 01293 455196      Fax: 01293 455197

Internet site at: [www.vent-axia.com](http://www.vent-axia.com)

email: [info@vent-axia.com](mailto:info@vent-axia.com)

- **The Vent-Axia Guarantee**
- Applicable only to products installed and used in the United Kingdom. For details of guarantee outside the United Kingdom contact your local supplier.
- Vent-Axia Limited guarantees its products for two years from the date of purchase against faulty materials or workmanship. In the event of any part found to be defective, the product will be repaired, or at the Company's option replaced, without charge, provided that the product:
  - 1) has been installed and used in accordance with the instructions given with each unit
  - 2) has not been connected to an unsuitable electricity supply. (The correct electricity supply voltage is shown on the product rating label attached to the unit.)
  - 3) has not been subject to misuse, neglect or damage.
  - 4) has not been modified or repaired by any person not authorised by the company.
- IF CLAIMING UNDER TERMS OF GUARANTEE
- please return the complete product, carriage paid to your original supplier or nearest Vent-Axia Centre, by post or personal visit. Please ensure that it is adequately packed and accompanied by a letter clearly marked 'Guarantee Claim' stating the nature of the fault and providing evidence of date and source of purchase.
- This guarantee is offered to you as an extra benefit, and does not affect your legal rights.

*As part of the policy of continuous product improvement Vent-Axia reserves the right to alter specifications without notice.*



**Vent-Axia Ltd**

**Head Office:** Fleming Way, Crawley, West Sussex RH10 9YX  
Tel: 01293 526062 Fax: 01293 551188