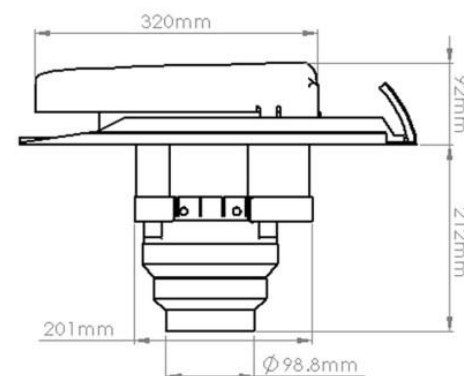
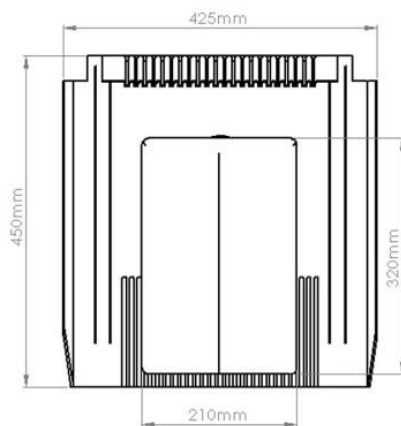
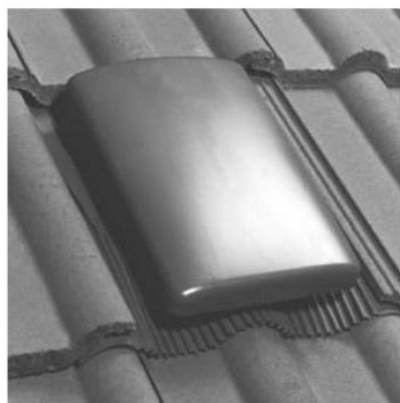


PRODUCT DATA SHEET

TILEVENT-GRY

UNIVERSAL TILE VENTILATOR GREY 150MM DIA C/W CONNECTOR



SPECIFICATION DETAILS

The TILEVENT-GRY Universal Tile Ventilator is manufactured from rigid PVC. The Tile Ventilator is suitable for most concrete interlocking and plain roof tiles with a pitch over 17.5°.

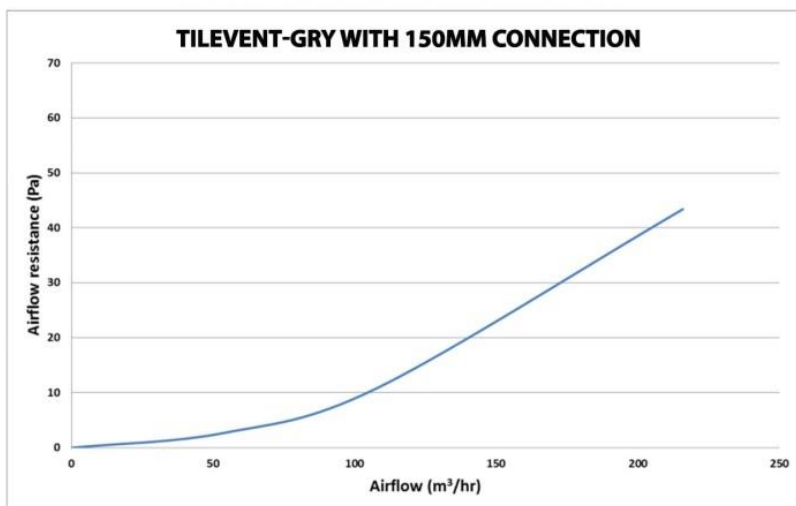
The TILEVENT-GRY is supplied with adaptors from to fit the System 100, 125 and 150 range. Suitable for high and low level ventilation and complies fully with relevant Building Regulations and British Standards.

Note - Not Suitable for the following profiles: Redland Delta, Cambrian, Saxon, Richmond, Anchor Centurion, Slate; Marley Monarch; Clay Pantiles; Landmark Slates.

Manufacturer:	Verplas Ltd
Part Number:	TILEVENT-GRY
Size:	150 - 100mm Multi - Spigot Connection
For use with:	Verplas System 100, 125 & 150
Box quantity:	1
Individual Weight:	1900g
Colour:	Grey

FREE AREA	20,000mm ²
------------------	-----------------------

PERFORMANCE CURVE



AIRFLOW	RESISTANCE
8 l/s	0.70 pa
13 l/s	2.00 pa
21 l/s	4.80 pa
30 l/s	11.00 pa
60 l/s	43.00 pa
120 l/s	N/A

Associated Ancillaries

