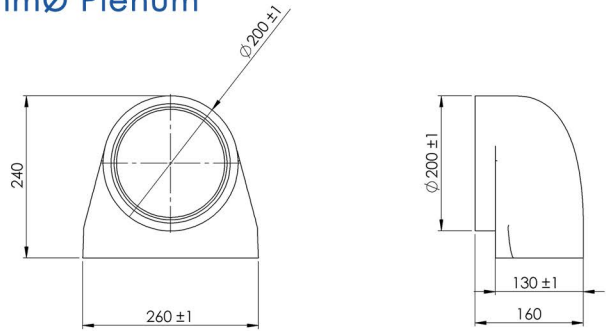
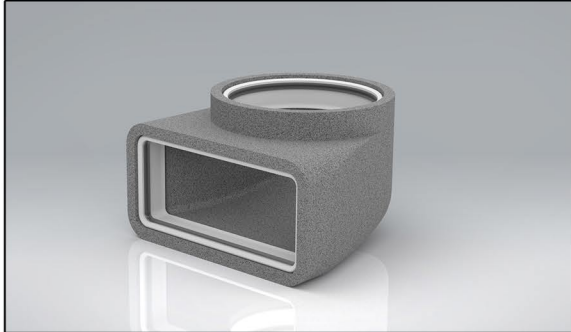


PRODUCT DATA SHEET

SST-220-PL160-IND



Rapid Self-Seal Thermal 220x90mm to 160mmØ Plenum



MANUFACTURER:	VERPLAS LTD
PART NUMBER:	SST-220-PL160-IND
SIZE:	220x90mm
FOR USE WITH:	VERPLAS THERMAL 220 & 160mmØ
BOX QUANTITY:	6
INDIVIDUAL WEIGHT:	600g
COLOUR	Grey
MIN OPERATING TEMP	-15°C
MAX OPERATING TEMP	+60°C
THERMAL RESISTANCE	0.666 m ² K/W
THERMAL CONDUCTIVITY	0.03 W/mK

SPECIFICATION DETAILS

The Verplas Self-Seal Thermal SST-220-PL160-IND insulated fitting is manufactured from graphite impregnated expanded polystyrene (EPS) with a minimum density of 25kg/m³ and provides a free area of 19,752 mm² to 20,108 mm². The SST-220-PL160-IND is supplied with self-seal female couplings that allow the ducting fitted with a Duct to Fitting Connector to be plugged into the fitting apertures with a push, click and lock mechanism.

The Self-Seal female couplings are manufactured from prime High Impact Polystyrene and a Thermoplastic Elastomer Dynamic Sealing Gasket.

The EPS material is fully tested to meet the thermal conductivity requirements of BASF-EN13163 to assist with the prevention of condensation and is flame retardant to DIN 4102-B1.

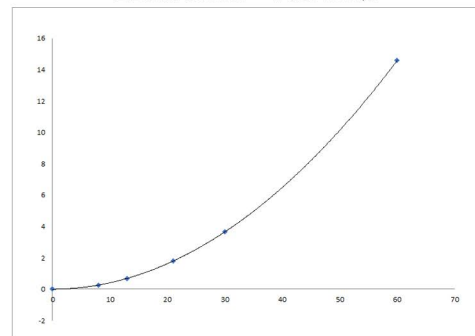
The patented push, click and lock mechanism provides a low leakage solution which exceeds the requirements set out in DW/143 Class A leakage test and DW/154 ductwork standards.

The Self-Seal Thermal is compliant with the requirements outlined in the Energy performance characteristics database for use in SAP with MVHR and MEV supply and extract ventilation systems.

AIRFLOW	RESISTANCE	
	160m -220x90mm	220x90mm -160mm
8 l/s	0.25 pa	0.26 pa
13 l/s	0.64 pa	0.69 pa
21 l/s	1.66 pa	1.79 pa
30 l/s	3.39 pa	3.66 pa
60 l/s	13.13 pa	14.59 pa

PERFORMANCE CURVE

220x90mm - 160mmØ

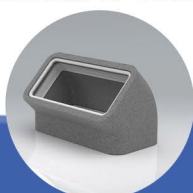
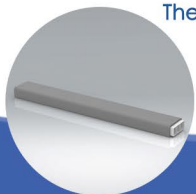


Pressure Loss
Pascals
(Pa)

AIRFLOW RATE
(L/S)

Associated Ancillaries

- SST-220-2M-IND
220x90mm Rapid Self-Seal Thermal 2m Flat Channel
- SST-220-45VB-IND
220x90mm Rapid Thermal Self-Seal 45° Vertical Bend
- SST-220-90HB-IND
220x90mm Rapid Self-Seal 90° Horizontal Thermal Bend



Scan Here
to find out
how quick
it is to install

