

# Exhaust air valve QV-125AVP-E



QV-125AVP-E is a round valve with aerodynamically design with good characteristics in terms of noise level, air flow capacity and pressure drop. The valve is mounted in a ceiling or a wall and is intended for ventilation systems with a relatively high pressure drop. The design of the valve and a gasket of moltoprene prevents soiling.

## Attachment, adjustment and detachment

The valve is pushed into the frame. The cone is screwed out or in the number of turns giving the gap an opening in mm corresponding to pressure drop and the desired air flow according to the diagram. The pressure drop can be checked by using a suitable measuring device. When dismantling, the valve is pushed sideways and then pulled out.

## Material

The valve is made of polypropylene plastic that can withstand temperatures up to 120 degrees Celsius. The material keeps its color over time and is recyclable.

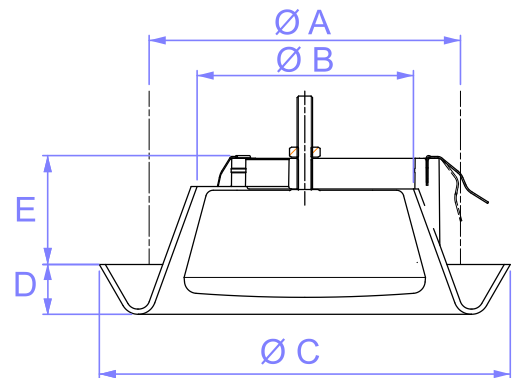
## Cleaning

The valve is cleaned with normal detergent.

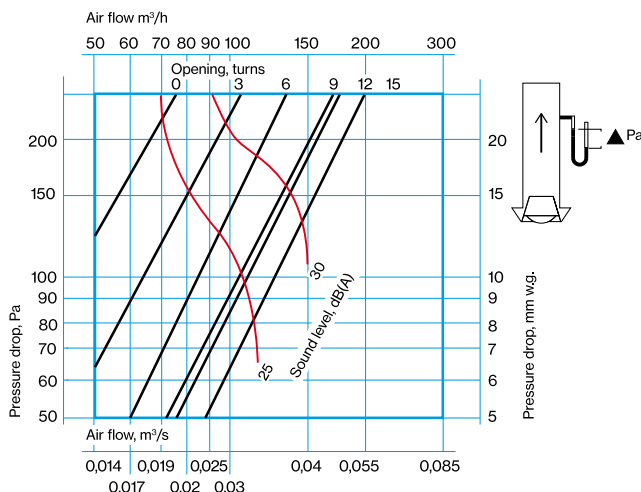
## Color

Standard white (RAL 9003). Other colors can be delivered by arrangement.

## Dimensions



OPF	Ø A	Ø B	Ø C	D	E	Weight gr
125	125	85	165	20	43	128



## Sound

Correction of the sound level at different frequencies

63	125	250	500	1000	2000	4000	8000
7	10	5	-5	-5	-3	-4	-7

## K-Factor

Number of openings (rotations), n

0	2	4	6	8	10	15	20
1.72	2.18	2.46	2.81	3.23	3.57	4.45	5.16