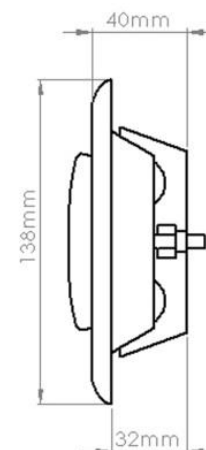
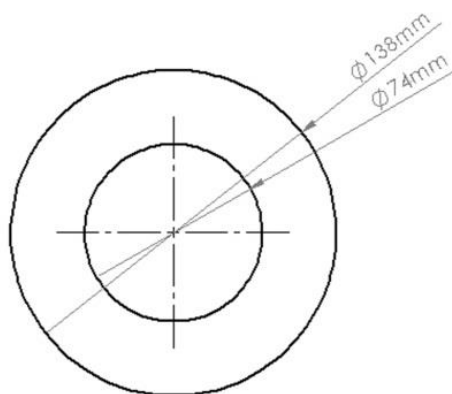


PRODUCT DATA SHEET

MW104

WHITE METAL CEILING AIR EXTRACT VALVE

W RAL9010


SPECIFICATION DETAILS

The MW104 100mm diameter Round White Metal Ceiling Air Extract Valve is manufactured from White Epoxy Powder Coated Steel and has minimum free area of 1,197mm² with Control Disc 10mm open. It has a male spigot for connection inside of the System 100mm duct.

The MW104 extract air valve is fully adjustable and has a locking nut to fix the position of the controlled disc upon commissioning.

The MW104 is supplied complete with a fixing body with pre-drilled holes for installation.

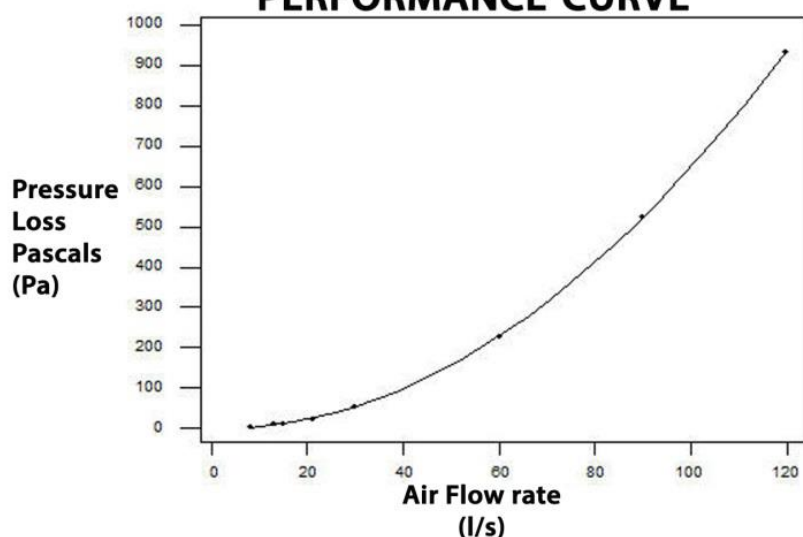
MW104 has been designed for use with Verplas System 100 Round.

Manufacturer:	Verplas Ltd
Part Number:	MW104
Size:	100mm Diameter
For use with:	Verplas System 100
Box quantity:	7
Individual Weight:	270g
Colour:	White

MAX/MIN OPERATING TEMPERATURES

+ 60°C to - 15°C

PERFORMANCE CURVE



*Pressure losses with Control Disc 10mm open

Associated Ancillaries



AIRFLOW	RESISTANCE
8 l/s	5.00 pa
13 l/s	10.00 pa
21 l/s	22.80 pa
30 l/s	53.70 pa
60 l/s	228.00 pa
120 l/s	935.00 pa