

# DV300 Entro

Entro line side entry -

Up to 352 m<sup>3</sup>/h air volume (free flow)



## KEY FEATURES

- For use in dwellings up to 150 m<sup>2</sup>\*
- Air volume up to 300 m<sup>3</sup>/h at 100 Pa
- Up to 93% thermal efficiency
- 'A' energy rating
- Adjustable control
- Two ISO Coarse 60% (G4) filters [Two ISO ePM1 55% (F7) optional]] - ISO 16890 compliant
- Automatic, 100% summer by-pass
- Lightweight design allows for multiple install options
- Durable EPP (Expanded Polypropylene) casing
- Optional Digital Controller
- Auto cut-out switch for extra safety
- Optional Electric Pre-Heater / Post Heater
- Complies with Building Regulations and Passive House certified
- SAP eligible
- 2 year warranty\*

## DV300 Entro

The DV300 Entro is a highly efficient, side entry MVHR unit that can recover up to 93% of other wasted heat.

The unit is made with high density EPP material which provides significant insulation and eliminates thermal bridging. DV300 has a low energy EC fans that minimise the unit's energy consumption and can help you reduce your energy bills.

The unit has an easy to maintain plastic counterflow heat exchanger that prevents the airstreams from mixing and easy to clean air filters that provide you with a clean, healthy indoor air environment.

\*excludes motors. Motor warranty one year from date of purchase.

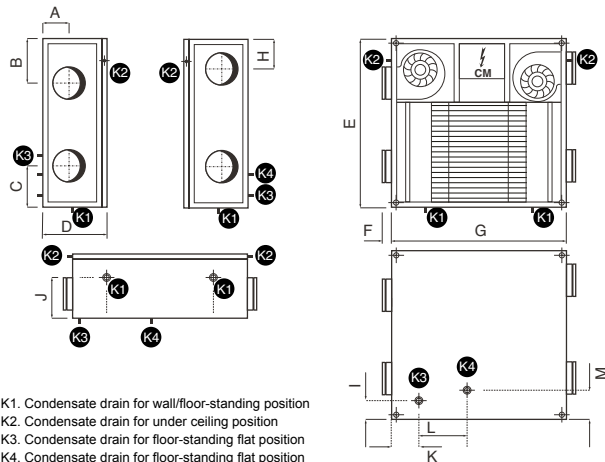


## TECHNICAL DATA

Specification	DV300 Entro
Suitable for dwellings up to m <sup>2</sup>	150*
Max air flow (m <sup>3</sup> /h) / (l/s) at 100Pa.	300 / 83
Max Thermal efficiency (%)	Up to 93
Heat exchanger	Counterflow (Plastic)
Fans	EC
Summer bypass damper	100% automatic
Frost protection	Reducing supply air Optional Pre-heater
Controls	Variable speed controller Touch screen panel (optional)
Mounting	Floor / Ceiling / Wall
Sound Power Level @ 3m (dB (A))	40
Duct Diameter (mm)	160 (4 ports)
Condensate discharge (mm)	14
Electrical supply	230V / 1ph / 50Hz
Max. Power Consumption (W)	120
Filter Class**	2x ISO Coarse 60% (G4) filters [2x ISO ePM1 55% (F7) optional]
Ducted Electric Post Heater (optional) (W)	400 / 700 / 1700
Ducted Electric Pre-Heater (optional) (W)	400 / 700 / 1700
Protection class	IP20
Weight (kg)	21
Dimensions (L x D x H) (mm)	850 x 280 x 820
Entry	Side Entry
Part Number	<b>90000398</b>

\*\*Complies with ISO 16890

## DIMENSIONS



K1. Condensate drain for wall/floor-standing position  
K2. Condensate drain for under ceiling position  
K3. Condensate drain for floor-standing flat position  
K4. Condensate drain for floor-standing flat position  
(only one K outlet is connected according to unit orientation)

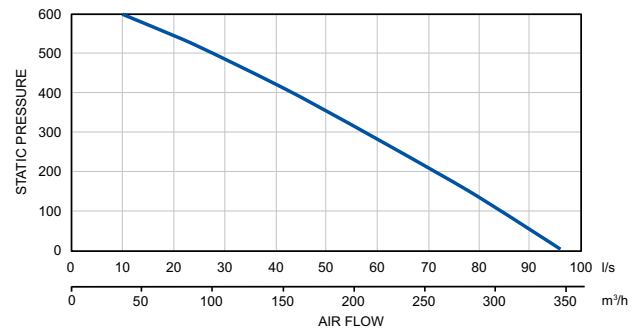
+excludes motors. Motor warranty one year from date of purchase.

Model	A	B	C	D	E	F	G	H	I	J	K	L	M
DV300	100	210	190	280	820	45	850	135	65	198	120	435	90

## ACCESSORIES

See switches/accessories for more details.

## PERFORMANCE



\*Guidance only. Dependent upon system pressure.

## SAP RESULTS

Systems with rigid ductwork only SAP 2009 results

Exhaust terminal configuration	Specific Fan Power (W/l/s)	Thermal efficiency (%)
Kitchen+1 additional wet room	0.65	85%
Kitchen+2 additional wet room	0.56	84%
Kitchen+3 additional wet room	0.57	82%
Kitchen+4 additional wet room	0.63	81%
Kitchen+5 additional wet room	0.71	81%
Kitchen+6 additional wet room	0.81	80%
Kitchen+7 additional wet room	0.91	79%

Systems with rigid ductwork only SAP 2012 results

Exhaust terminal configuration	Specific Fan Power (W/l/s)	Thermal efficiency (%)
Kitchen+1 additional wet room	0.58	84%
Kitchen+2 additional wet room	0.62	82%
Kitchen+3 additional wet room	0.7	81%
Kitchen+4 additional wet room	0.84	80%
Kitchen+5 additional wet room	0.99	79%

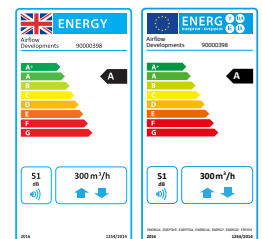
## ACCESSORIES

The following options are available

Accessory	Product Code
Filter pack 10pcs ISO Coarse 60% (G4)	90000411
Filter pack 10pcs ISO ePM1 55% (F7)	90000649
Ducted electric pre/post heater 400W	90000413
Ducted electric pre/post heater 700W	90000414
Ducted electric pre/post heater 1700W	90000415
Entro Touchscreen controller	90000409
Entro adjustable manual speed controller	90000408
DV300 Entro metal casing	90000347
Room Humidity Sensor	90000320
Ducted Humidity Sensor	90000659

## CERTIFICATION

The DV300 Entro meets requirements set out by the Energy Related Products (ErP) Directive 2016, achieving an A rating. You can find out more about the ErP Directive and find the DV300 Fiche and Label at: [www.airflow.com](http://www.airflow.com)



The DV300 Entro was tested and has achieved Passive House Approval by the Passive House Institute when equipped with a pre-heater.



# DV300 Entro

Entro line side entry -  
Up to 352 m<sup>3</sup>/h air volume (free flow)

## MOUNTING POSITIONS

Unique to these side entry units is the ability to install the same unit at:

- **Wall / Floor - standing position**
- **Ceiling - flat position**  
(with inclination for drainage)
- **Floor - flat position**  
(with inclination for drainage)

This provides exceptional flexibility in product specification, installation and storage.



## SIMPLE CONTROL

Simple control incorporates the following features:

- **Variable speed control** 100% adjustable by the user
- **Automatic boost function** increases air flow when needed (via volt-free contact or 0-10 V sensor output)
- **Automatic frost protection** reduces the supply ventilation rate for a certain period to prevent ice build-up within the heat recovery cell depending on the outside air temperature
- **Automatic summer bypass** fully isolates the heat exchanger and helps prevent overheating the dwelling during the summer months. Its motorised damper is triggered by the temperature sensor automatically
- **Heater control** for pre-heater and post-heater



## TOUCH SCREEN CONTROL

Additionally, the digital control provides the following features:

- **Stylish Touch Screen** with easy-to-use interface
- **Weekly ventilation programming** allows users to pre-set the ventilation levels scheduled for different days.
- **Party / Holiday mode** to set the air volume for specific time period based on occupancy.
- **Filter Maintenance reminder**
- **Indoor temperature control and display** based on;  
Extract air temperature  
Supply air temperature



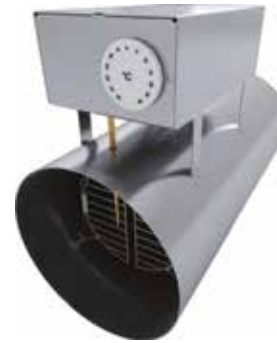
## HEATERS

The new generation PTC (Positive Temperature Coefficient) electric heater incorporates a power adjustment facility which automatically increases/decreases the power based on the air volume going through the heater hence shortens the heating response.

Also the heater has two protection thermostats and a perforated metal filter which can easily be maintained via the inspection door. This significantly increases its life span especially when the heater is installed on the incoming air side for frost protection purposes. Alternatively it can be used as post-heater to achieve the required indoor air temperature.

- Used as a **preheater** to preheat the fresh air, to be installed in duct on the fresh air inlet
- Used as an **postheater** to reheat the supply air, to be installed in duct after the unit
- Integrated PTC (Positive Temperature Coefficient) heating elements

- Housing includes a terminal board and internal wiring
- Includes two protection thermostats – a reversible one and a safety irreversible one
- Contains an interference-free SSR relay as standard
- Perforated metal filter to protect heater from gross particles (easily cleanable)
- Galvanised sheet metal housing



Description	Part number	Diameter (mm)	Voltage (V)	Power input (kW)
Ducted electric pre/post heater 400W	90000413	Ø 160	1 x 230 V ~	0.4
Ducted electric pre/post heater 700W	90000414	Ø 160	1 x 230 V ~	0.7
Ducted electric pre/post heater 1700W	90000415	Ø 160	1 x 230 V ~	1.7

## METAL HOUSING

To achieve better sound levels the units can optionally be covered with a metal jacket which is made of galvanised metal sheet.

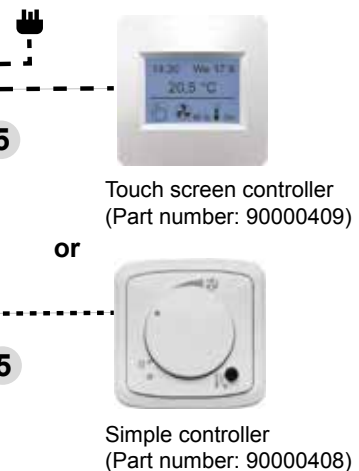
This special accessory also protects the unit from external damage and extends the life span of the unit.

Part number:  
**90000347** -  
DV300  
Entro Metal  
housing



## KEY COMPONENTS

- 1 Counter-flow heat exchanger with efficiency up to 93 %
- 2 EC fans
- 3 Bypass damper with actuator
- 4 2x ISO Coarse 60% (G4) filters [2x ISO ePM1 55% (F7) optional]
- 5 Spigot
- 6 EPP casing



Call: 01494 525252

Visit: [airflow.com](http://airflow.com)



**Airflow Developments Limited**  
Aidelle House, Lancaster Road,  
Cressex Business Park,  
High Wycombe, Buckinghamshire,  
United Kingdom, HP12 3QP

E-mail: [info@airflow.com](mailto:info@airflow.com)  
Telephone: +44 (0) 1494 525252

[airflow.com](http://airflow.com)

© Airflow Developments Limited. Airflow Developments Limited reserve the right, in the interests of continuous development, to alter specifications without prior notice. All orders are accepted subject to our conditions of sale which are available on request

