

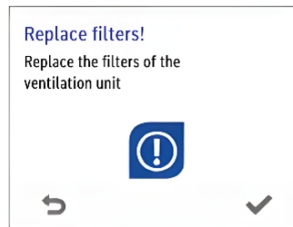
**MVHR (Mechanical Ventilation with Heat Recovery)** units require regular filter maintenance (cleaning or replacement). The Airflow MVHR units have been designed to facilitate convenient access to the filters with easy maintenance in mind. The Airflow filters are tested and compliant with ISO 16890.

This filter replacement guide is specific for the following products (it also applies to the EPH unit versions):

Product no	Description
90001265	DV96 (R) Adroit with integral CO <sub>2</sub> sensor
90001266	DV96 (L) Adroit with integral CO <sub>2</sub> sensor
90001267	DV110 (R) Adroit with integral CO <sub>2</sub> sensor
90001268	DV110 (L) Adroit with integral CO <sub>2</sub> sensor
90001269	DV145 (R) Adroit with integral CO <sub>2</sub> sensor
90001270	DV145 (L) Adroit with integral CO <sub>2</sub> sensor

### Filter replacement indication

The safety switch automatically turns off the power when the upper door of the unit is opened. Always disconnect the power plug before starting the ventilation unit maintenance. The maintenance reminder indicates filter replacement with a pop-up window.



To acknowledge the maintenance reminder message, press the tick button.

Press the back button to postpone the reminder for one week.

When the maintenance reminder is activated, check the cleanliness of the filters and replace them if required.

The Adroit ventilation unit has three air filters:

2 x ISO Coarse > 75% (G4) - complies to ISO 16890, coarse filter; filters insects, heavy pollen and other relatively large foreign objects out of the outdoor air (A).

1 x ISO ePM1 50% (F7) filters - complies to ISO 16890 fine filter; filters microscopic pollen and dust particles out of the supply air (B).

The coarse filter; filters the extract air and keeps the heat recovery cell clean (C).

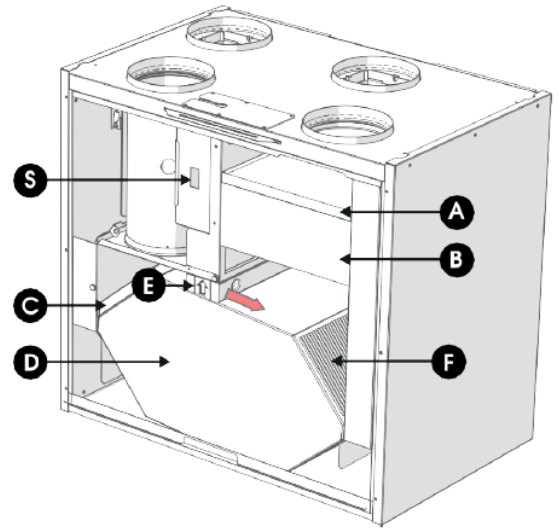
The filter replacement interval depends on the ambient particle concentration. It is recommended that the filters are replaced every spring and autumn or at the very least once a year.

**To replace the filters, follow the next steps:**

1. Disconnect the ventilation unit from the mains power supply.
2. Open the door of the unit.

**CAUTION:** The door is heavy.

3. Lift the door off.
4. Remove the old filters **(A, B, C)** and discard them.
5. Install the new filters **(A, B, C)**.
6. Close the door of the unit.
7. Plug the ventilation unit back into the mains.
8. The filters have now been successfully replaced.



Using original filters ensures that the ventilation unit has high performance.

Product no	Description	Dimensions (mm)
90000375	DV96 Adroit/SE Filter Set	G4 ISO Coarse > 75% - 194 x 225 mm G4 ISO Coarse > 75% - 138 x 350 mm F7 ePM1 55% - 194 x 225 mm
90000378	DV110 Adroit/SE Filter Set	G4 ISO Coarse > 75% - 230 x 247mm G4 ISO Coarse > 75% - 252 x 400mm F7 ePM1 55% - 230 x 247mm
90000376	DV145 Adroit/SE Filter Set	G4 ISO Coarse > 75% - 286 x 306mm G4 ISO Coarse > 75% - 295 x 501mm F7 ePM1 55% - 286 x 306mm